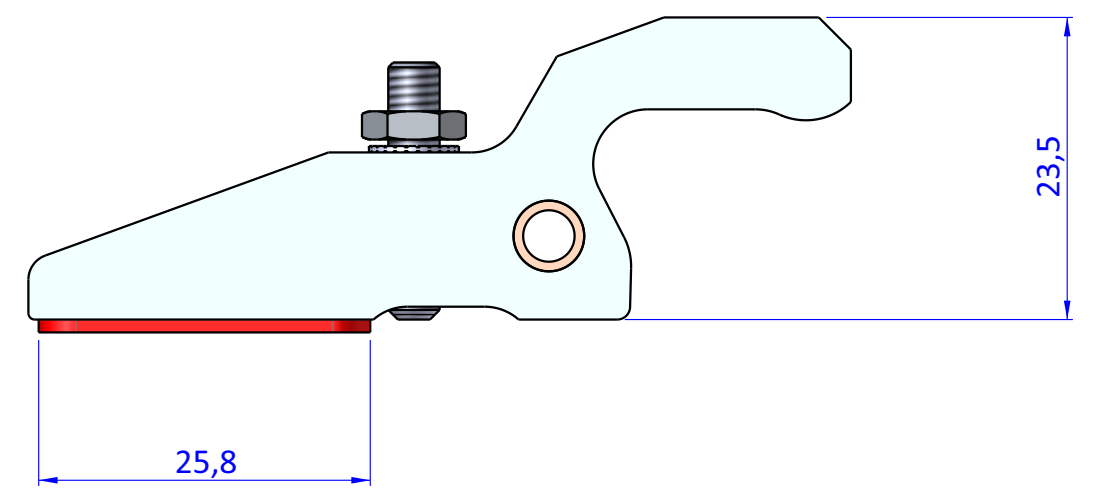
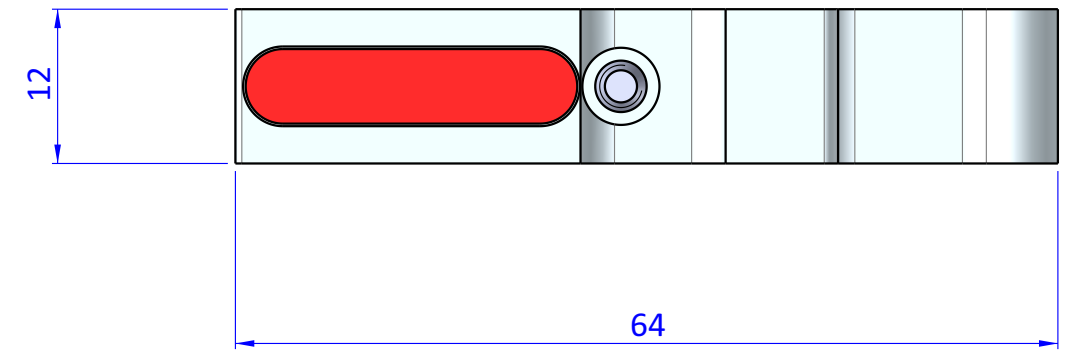
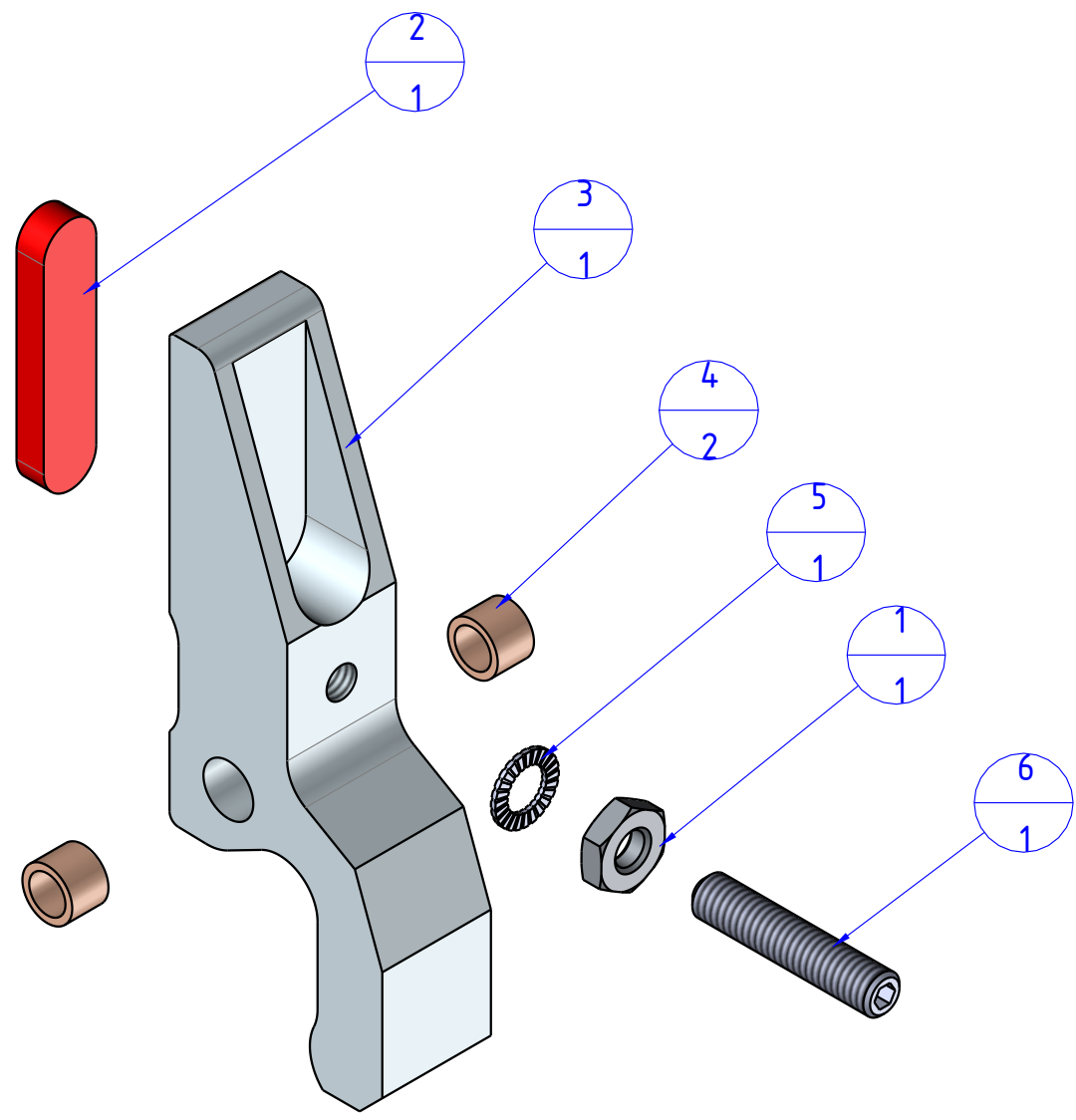

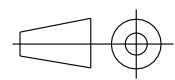


THE PROPERTY OF THE DRAWING IS ESTABLISHED BY LAW. IT IS FORBIDDEN TO PRODUCE OR SHOW IT TO THIRD PART. WITHOUT A WRITTEN AGREEMENT.

Item	Name	Qty.
1	D.4	1
2	GTS.1003.17.1	1
3	GTS.1004.17	1
4	PAP.0405504	2
5	R.4.SCH	1
6	V.STM4X20	1



Format A3
UNI 936-76

 FPS FPSERVICES AUTOMATION			DESIGNED FROM FPS Automation	REVIEW A
GENERAL TOLERANCE UNI - ISO 2768 CLASSE f	DESCRIPTION GTS.04.17	DATE 02/05/2022	WEIGHT 0,054kg	CODE GTS.04.17